

The technical fiche of standard double faced profile describes synthetically the main technical characteristics of the product deducible from the drawings and the technical specifications of the suppliers.

Specifications of raw materials (UNI EN 485-2)

| Alloy | Physical conditions | Thickness | Rm | Rp | A5% | A50 % |
|-------|---------------------|-----------|-----------|-------|------|-------|
| 3003 | H28 | 0,45 | ≥ 190 | ≥ 160 | | ≥ 2 |
| 3005 | H24 | 0,39 | 170 ÷ 225 | ≥ 130 | ≥ 12 | -- |

Tolerance on thickness 0,01 mm

Legend:
Rm = unit breaking load in traction
Rp = yield load
A = elongation per cent

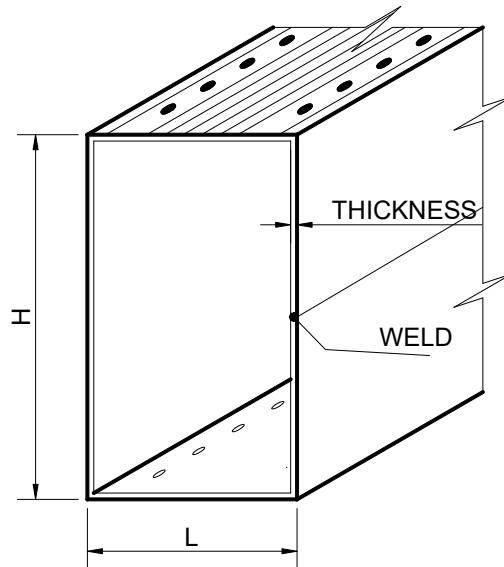
Chemical composition (UNI EN 573-3)

| Alloy 3003 | | | | | | | | | | |
|------------|------|-------------|-----------|----|----|------|----|------------|------------|------|
| Si | Fe | Cu | Mn | Mg | Cr | Zn | Ti | other cad. | other tot. | Al |
| 0,6 | 0,70 | 0,05 ÷ 0,20 | 1,0 ÷ 1,5 | -- | -- | 0,10 | -- | 0,05 | 0,15 | rest |

| Alloy 3005 | | | | | | | | | | |
|------------|------|------|-----------|-------------|------|------|------|------------|------------|------|
| Si | Fe | Cu | Mn | Mg | Cr | Zn | Ti | other cad. | other tot. | Al |
| 0,60 | 0,70 | 0,30 | 1,0 ÷ 1,5 | 0,20 ÷ 0,60 | 0,10 | 0,25 | 0,10 | 0,05 | 0,15 | rest |

Specifications of the finished product

| | |
|-----------------------------------|--|
| Tolerance on the wideness | ± 0,2 mm |
| Tolerance on the height | ± 0,2 mm |
| Tolerance on the length | - 5 mm / + 10 mm |
| Check on the welding | Test of penetrating liquid (0 point/m) Eddy current inspection, on line (Eddy Sensor) |
| Fogging test and volatile content | As agreed with part "C" and "G" of UNI rules (absent) |
| Residual greases | Test not requested |
| Permeability of holes | Test not requested |
| Painting (if made) | Paintings 100% polyester (thickness > 12 µm) |
| Oxidation (if made) | According to the type of colour thickness between 1- 5 µm |



Dimensions and Tolerances

| Type Spacer | H ± 0,2 mm | L ± 0,2 mm | S ± 0,1 mm |
|-------------|---------------|---------------|---------------|
| D095 x 18 | 18,0 | 9,5 | 0,39 |
| D095 x 20 | 20,0 | 9,5 | 0,39 |
| D095 x 24 | 24,0 | 9,5 | 0,45 |
| D095 x 30 | 30,0 | 9,5 | 0,45 |
| D115 x 18 | 18,0 | 11,5 | 0,39 |
| D115 x 20 | 20,0 | 11,5 | 0,39 |
| D115 x 24 | 24,0 | 11,5 | 0,45 |
| D115 x 30 | 30,0 | 11,5 | 0,45 |
| D115 x 34 | 34,0 | 11,5 | 0,45 |
| D145 x 20 | 20,0 | 14,5 | 0,45 |
| D145 x 24 | 24,0 | 14,5 | 0,45 |
| D145 x 30 | 30,0 | 14,5 | 0,45 |
| D175 x 30 | 30,0 | 17,5 | 0,45 |

For painted spacers, outside dimensions are oversized of a level variable between 12 and 20 μ
For anodized spacers, outside dimensions are oversized of a level variable between 3 and 5 μ